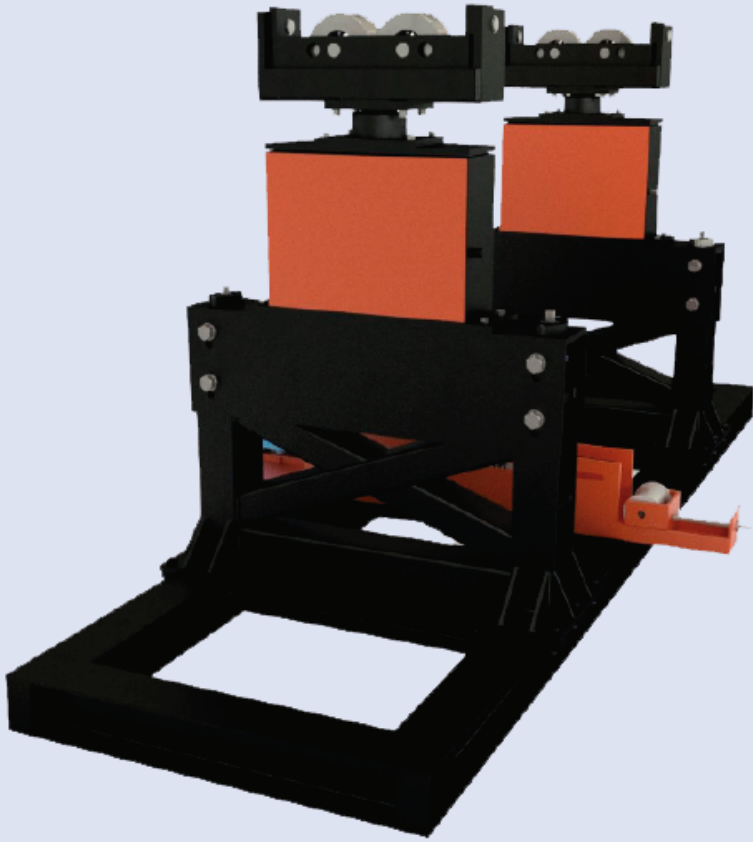


EI-4500

Balancing Machine

Datasheet



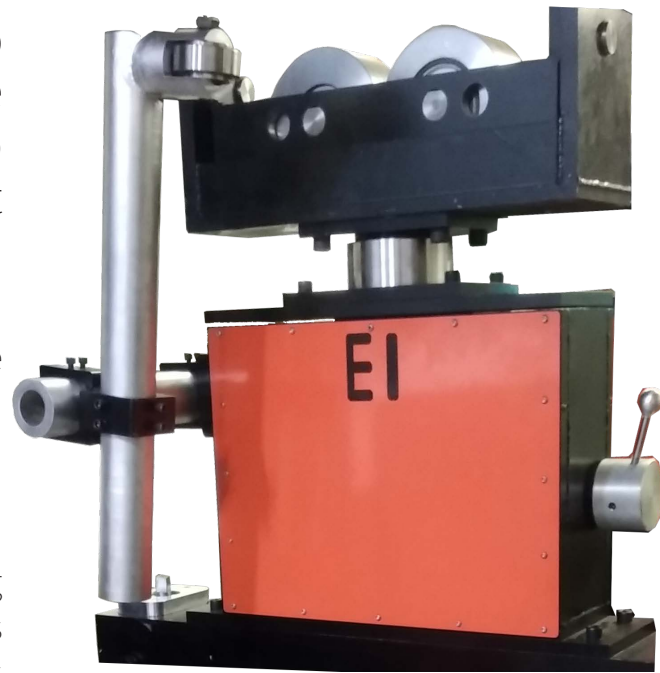
The **EI-4500** performance is perfect for the industrial balancing of mid-weight range rotors. With the *weight test* method or 3 runs you can balance fans, rollers, mills, propellers, electrical motors, among others.

Features

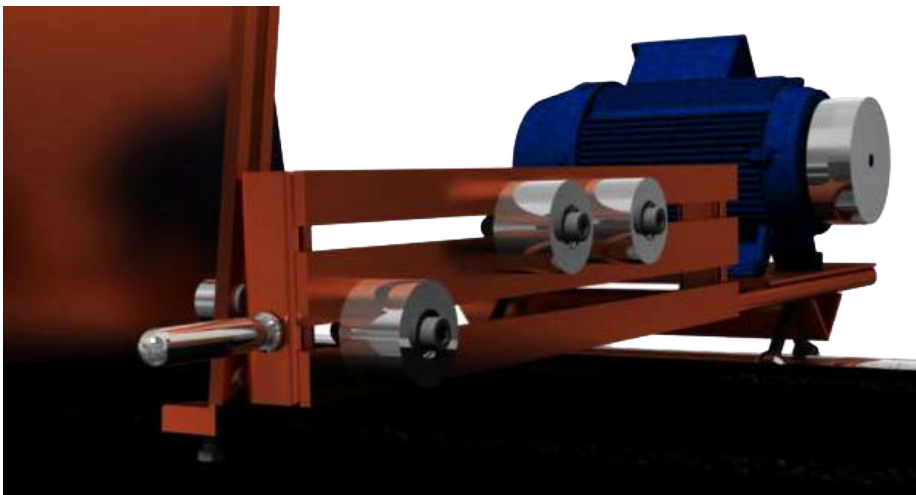
The EI-4500 is a balancing machine made 100% with carbon steel, does not require a special base to mount the balancer; features *swing-type* slices to automatically align them to the shaft and prevent scratches or damages in the roller's surface.

For a better contact between the shaft and the EI-4500, the rolling elements have a swing system with a pitch up to ten degrees, this way the EI-4500 gets aligned automatically with the shaft to prevent distortion on the shaft's rolling superficies.

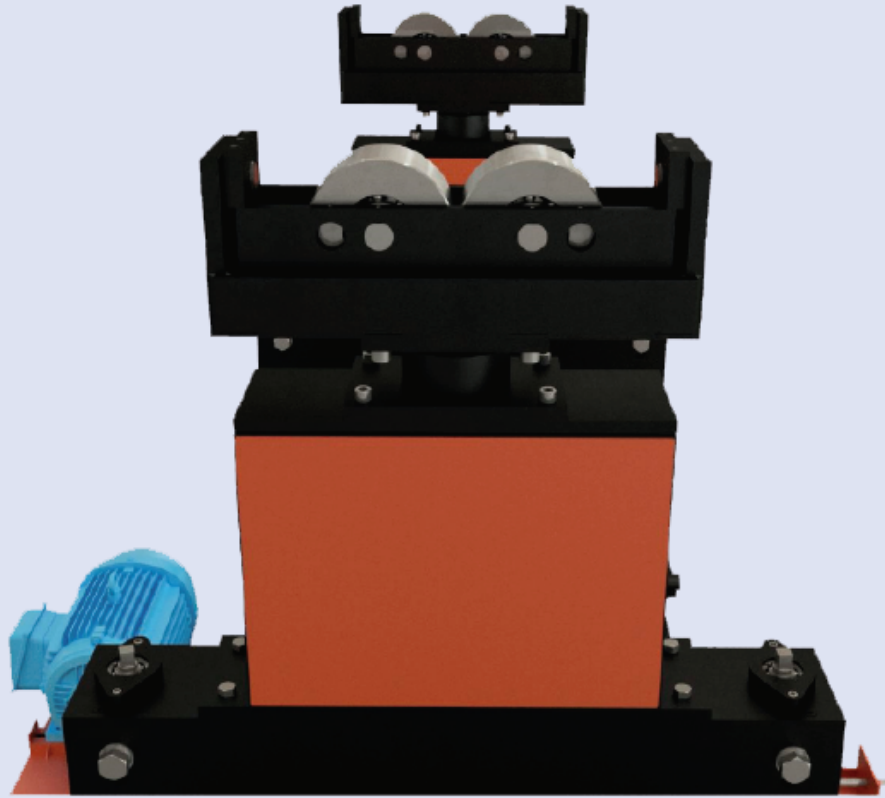
Between the roller's work supports and the soft bearing suspension system, there is a lifting screw with 1.5 inches range to allow the rotor's axis to be in horizontal position. This feature permits independency among planes for dual plane balancing.



The EI-4500 can support up to 4 500 kg (2,250 kg each support) and with its 2 roller positions it allows shaft diameters of 279.4 mm (11 in). It also has an elevator screw to adjust the position in case the tracks rotor supports have different diameters up to 50.8 mm (2 in) and a swinging movement for auto-alignment.



Made 100% with **carbon steel**, supports up to 4 500 kg.



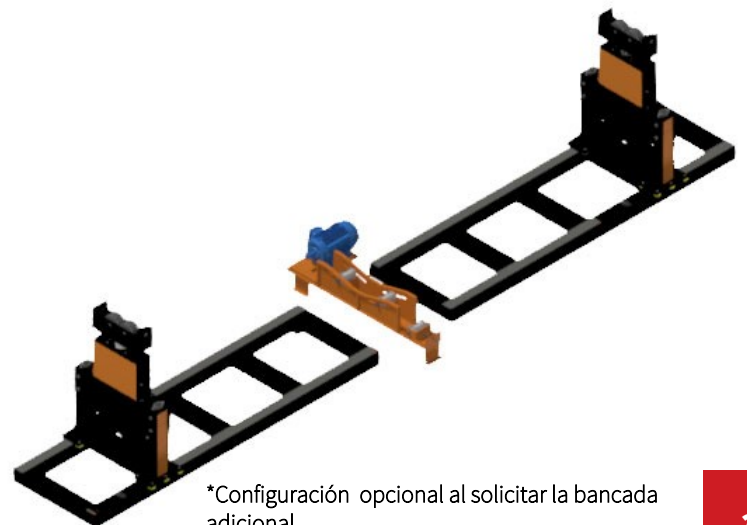
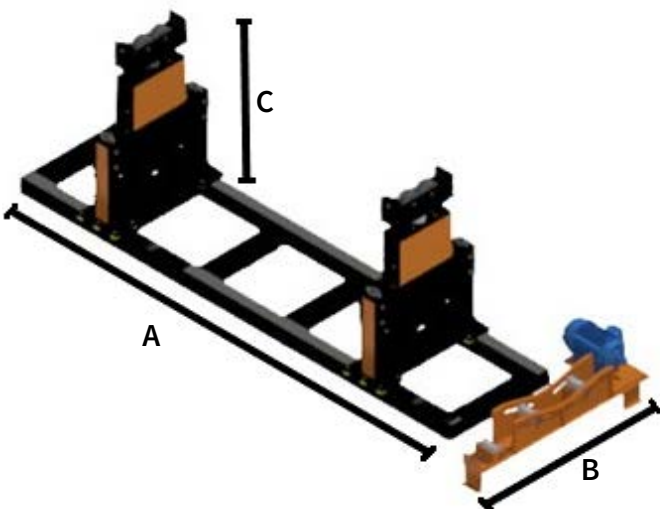
EI-4500 includes

- 2 Roller positions
- 2 Elevation screws
- 2 Axial Supports
- Transmission kit
- Banda plana
- 3 flat pulleys
- Main pulley guideline
- Electric motor (optional speed driver)
- DigivibeMX M10 (for more details see next page)

Technical Specs

Max / Min Load	4 500 kg (10 000 lb) / 10 kg (22 lb)
Dimensions (L x W x H)	2 000 x 1 700 x 1 220 mm (79 x 67 x 48 in)
Weight	Only supports 260 kg (573.20 lb) Complete: 600 kg (1 322.78 lb)
Max rotor diameter	1 700 mm (66.929 in)
Max displacement 0 to peak	25.4 mm (1 in)
Max shaft diameter	279.4 mm (11 in)
Min/Max length between supports	254 - 1778 mm (10 - 70 in)
Min/Max shaft length	177 mm (7 in) / 1700 mm (67 in)
Max shaft's diameter difference	50.8 mm (2 in)
Bedplate length	2000 mm (78.75 in)
Lock system	Yes (manual)
Vibration sensors	2 accelerometers (with 2 pin connectors)
Accelerometer sensitivity	100 mV/g
ISO 2953 Unbalance reduction per sequence	97%
Transmission type	Manual tension; Flat belt
Lubrication	Type I (Manual)
Residual Unbalance	2 gmm / 100 kg rotor
Motor electrical features	10 hp (7.46 kW) 220/440 VAC 4 poles

A	2000 mm / 79.00"
B	1700 mm / 67.00"
C	1220 mm / 68.00"



*Configuración opcional al solicitar la bancada adicional

Accessories

EI-4500 Balancing Machine has a wide range of optional accessories and spares to increase performance and reliability.

Negative Load Supports (Not included)



It's an accessory for **EI-4500 balancing machine** required when rotors are mounted on cantilever and/or to secure rotors with high levels of vibration, like crankshafts. Each support includes bearings and has adjustable height. Its dimensions may vary depending on the bearing suspensions. **Sold separately.**

Axial Supports (Included)



Designed to limit the axial rotor's displacement on the EI-4500 balancing machine. It has 2 axes to adjust up to 1 meter shaft's length from the supports. They include the mounting base to the balancing pedestal, an axial and radial arm and a rolling element at the tip. **EI-4500 includes 2 axial supports.**

Transmission Belt & Pulleys



A flat belt of high strength and durability reinforced with 3 layers: **fabric-nylon-fabric.**

Length: 4.5 m (14.76 ft)
Width: 50 mm (2 in)



Set of 3 bearing pulleys and 1 driver pulley for EI-4500 flat belt.

For more accessories and spares visit our online store: www.erbessd-instruments.com/store

ERBESSD INSTRUMENTS®

WORLDWIDE toll-free:

+1-877-223-4606

ENGLISH:

Sales, Service & Support Engineer

+1-518-874-2700

info@erbessdreliability.com

SPANISH & FRENCH:

Sales, Service & Support Engineer

+52 (55) 6280-7654 / +52 (999) 469-1603

info@erbessd-instruments.com

BUY ONLINE

www.erbessd-instruments.com

ALL IMAGES ARE FOR ILLUSTRATIVE PURPOSES ONLY. THE FINAL PRODUCT MAY VARY DEPENDING ON THE VERSION AND/OR THE IMPROVEMENTS MADE TO THE DEVICES OR COMPONENTS

© 2018 ERBESSD INSTRUMENTS

A-2018.0903